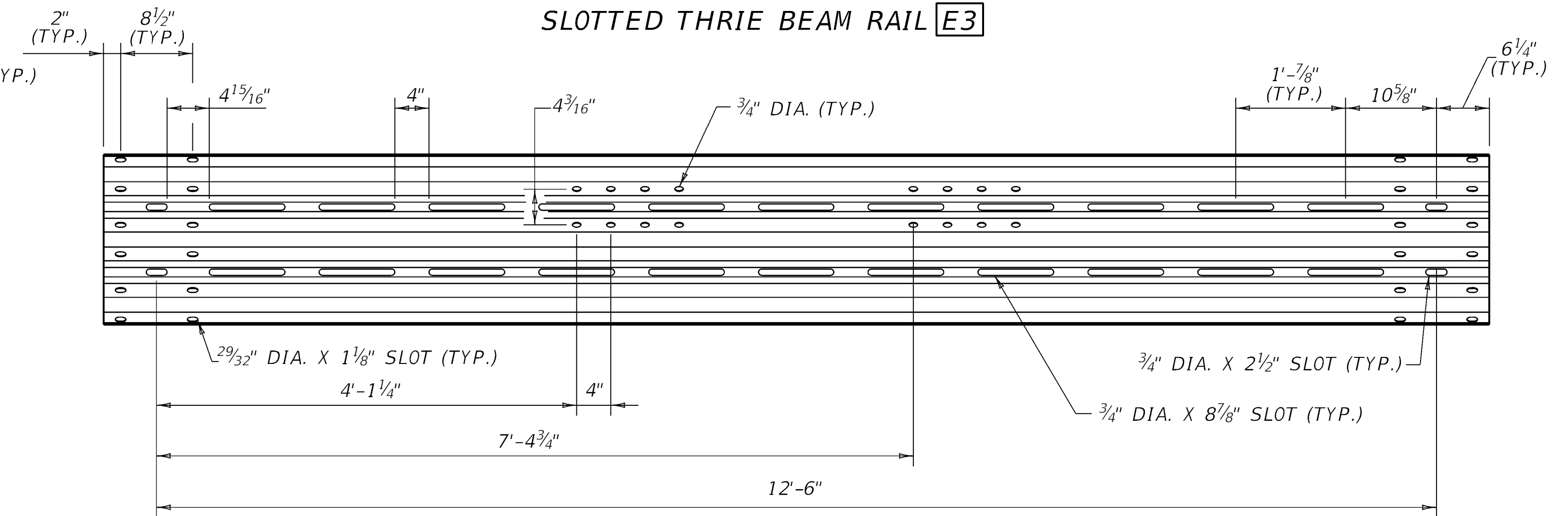
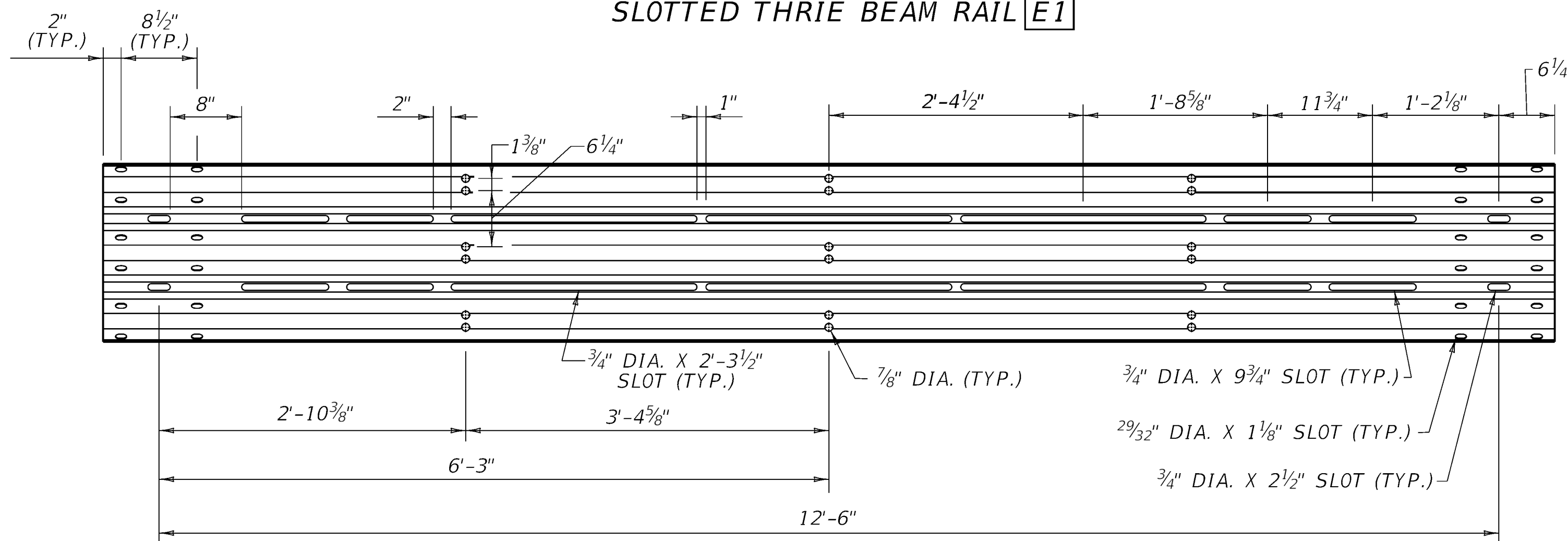


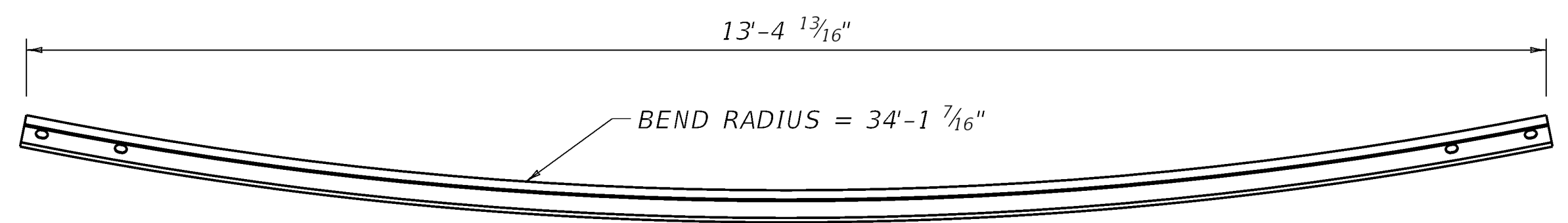
SLOTTED THRIE BEAM RAIL **E1**

SLOTTED THRIE BEAM RAIL **E3**

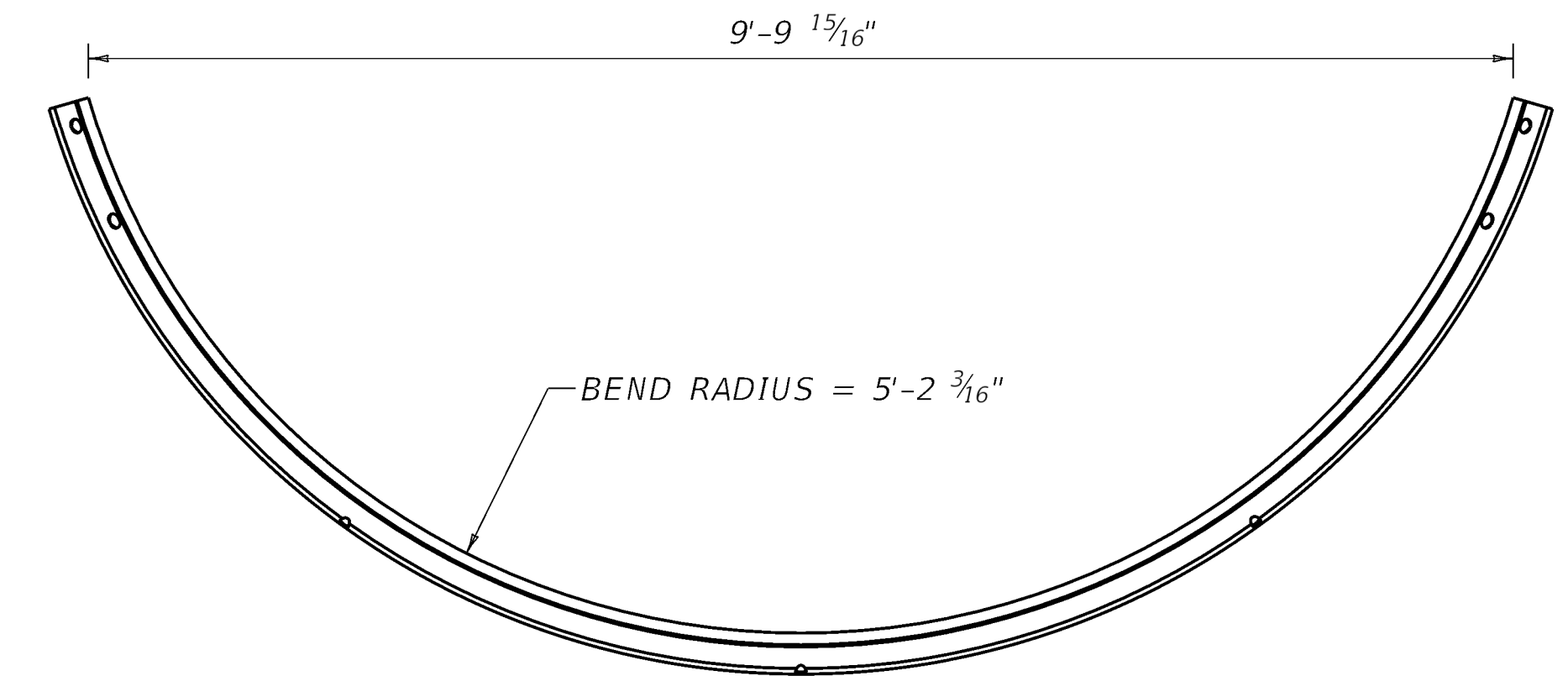


ELEVATION VIEW NON-RADIUSED
SLOTTED THRIE BEAM RAIL **E2**

ELEVATION VIEW NON-RADIUSED
SLOTTED THRIE BEAM RAIL **E4**



PLAN VIEW
SLOTTED THRIE BEAM RAIL **E4**



PLAN VIEW
SLOTTED THRIE BEAM RAIL **E2**

~ NOTES ~

- 801 FOR THRIE BEAM RAIL, USE AASHTO M180, SPEC 814, AND GUARDRAIL MANUFACTURER FROM KYTC'S LIST.
- 802 MARK THE RADIUS OF CURVATURE ON EACH OF THE CURVED ELEMENTS.
- 803 IN AN ASYMMETRICAL BULLNOSE, THE OPPOSING-SIDE **E4** THRIE-BEAM IS STRAIGHT, NOT CURVED. THIS TANGENT BEAM HAS A LENGTH OF 13' - 6 1/2\".

SUBMITTED *W. T. Lysan* 12-10-2024
DIVISION DIRECTOR DATE